

Use after a Hectron automatic filter: see the installation diagrams

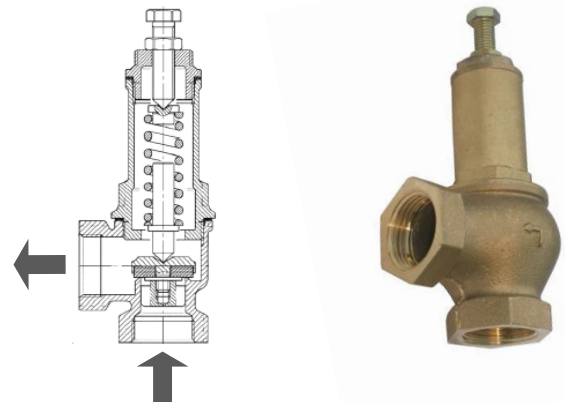
Simple pressure valves

These pressure valves are preset at 2 Bar. They open only when the pressure reaches 2 Bar.

Constant pressure loss of 2 Bar.

Made in brass, spring in stainless steel

Reference	Fit the following filters :			In / out
	AG100	AG200	AG300	
CS 25	•	•		1" female thread
CS 50		•	•	2" female thread
CS 80		•	•	3" female thread
CS100			•	DN100 flanges



Regulating pressure valves

These pressure valves bring a pressure loss which fluctuates depending on the outlet network pressure, in order to have a constant pressure of 2 Bar before the pressure valve (at the filter level).

Fluctuating pressure loss, from 0 to 2 Bar.

Made in stainless steel 316L (CRI) or cast iron (CRF)

Reference	Fit the following filters :			In / out
	AG100	AG200	AG300	
CRI 25	•	•		1" female thread
CRI 40		•		1"1/2 fem. thread
CRI 50		•	•	2" female thread
CRI 80		•	•	DN80 flanges
CRF 80		•	•	DN80 flanges
CRF 100			•	DN100 flanges
CRF 150			•	DN150 flanges

