

CRL UPSTREAM PRESSURE SUSTAINERS

HECTRON

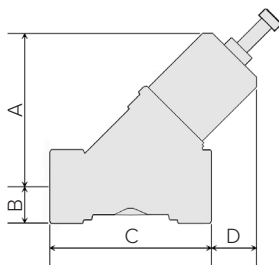
**BRASS OR
STAINLESS STEEL**

MADE IN FRANCE

- Complementary products, to be connected downstream automatic filters in some cases (see installation diagrams).
- Function : Sustain a preset upstream pressure, regardless of downstream pressure variations and flow rate.
- Setup after an automatic filter, they enable to guarantee that the requested pressure is sustained. Depending on the network configuration downstream the sustainer, it will open more or less, in order to regulate pressure in the filter.

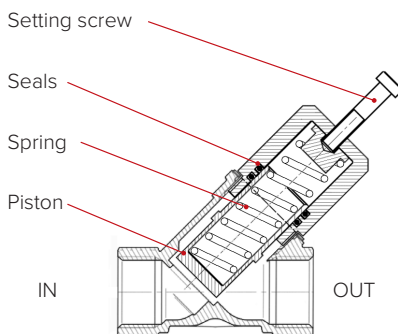


MODELS



		In / out	Dimensions (mm)				Weight (Kg)
			A	B	C	D	
BRASS	CRL25	1" BSP	85	20	87	25	0,9
	CRL50	2" BSP	170	34	126	72	3,8
	CRL80	3" BSP	220	50	169	74	9,5
S.S.	CRL inox 25	1" BSP	95	23	88	30	1,1
	CRL inox 50	2" BSP	175	35	132	75	3,9

TECHNICAL SPECIFICATIONS



		CRL	CRL inox
Setting range	Bar	1 - 3	1 - 3
Maximum working pressure	Bar	16	16
Maximum temperature	°C	70	70
Body		Brass	Stainless steel 316L
Piston		Brass	POM
Spring		Stainless steel	Stainless steel
Seals		EPDM	EPDM

HECTRON

101, route de Canta Galet - 06200 Nice - France
info@hectron.com | www.hectron.com | tel. : +33 (0)4 93 97 02 42 | fax : +33 (0)4 93 84 86 76