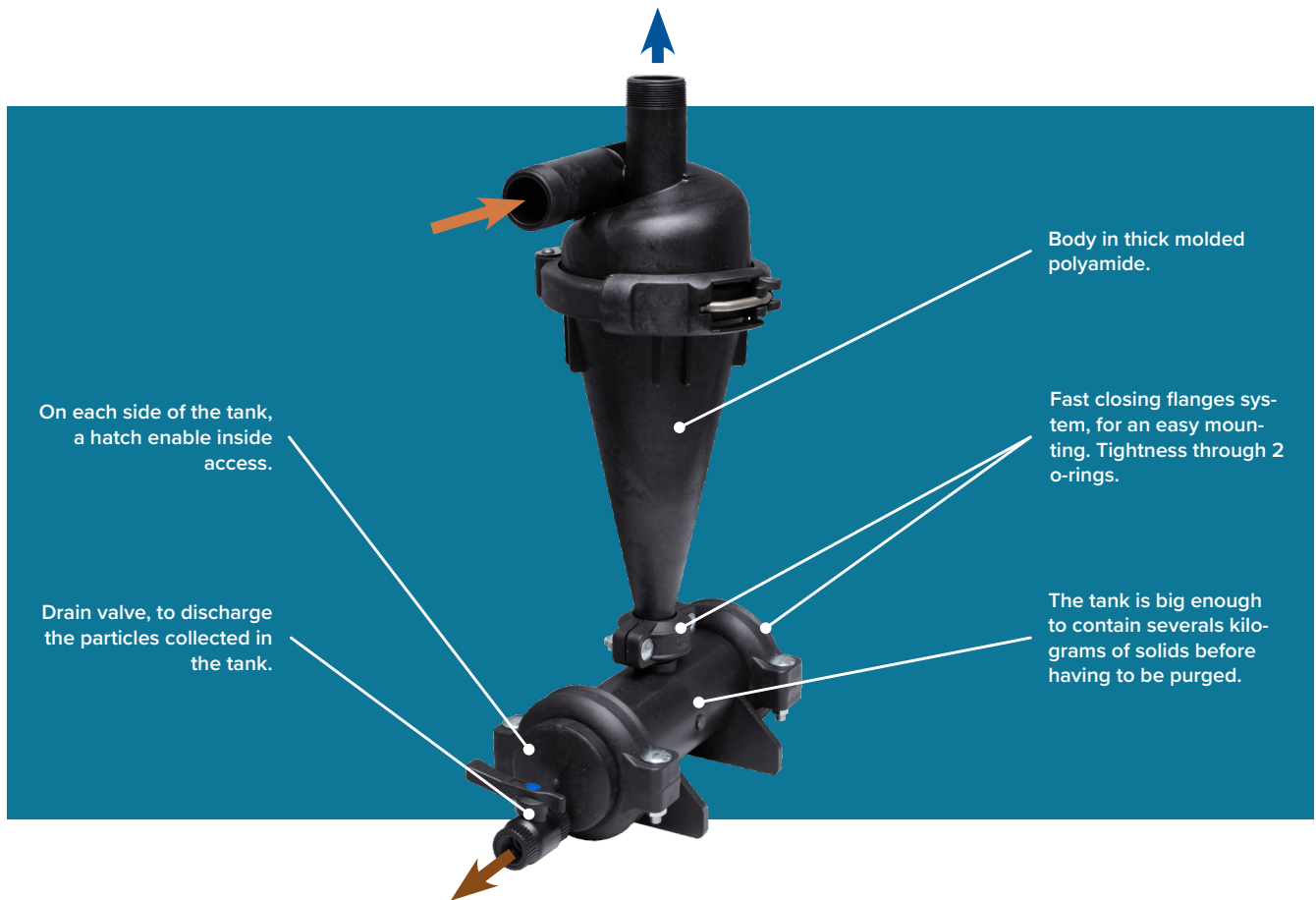


Hydrocyclones enable to eliminate most of the heavy solids suspended in water. The main application is treatment of sand-loaded borehole water.

Built in thick molded polyamide, these hydrocyclones are not exposed to the effect of corrosion which occurs on carbon steel hydrocyclones and have a longer life span.



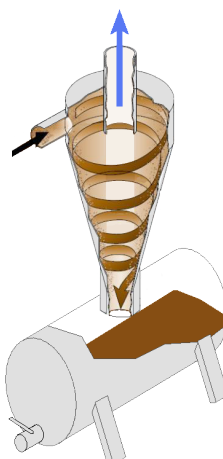
HOW IT WORKS

Water enters the hydrocyclone on the side. It is accelerated and whirls in the conical part.

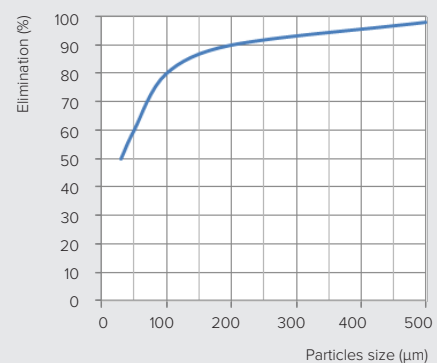
Purified water goes out through the center, to the top.

Suspended solids fall in the tank.

Tank is drained by opening a valve.



Efficiency : sand (density = 3) elimination percentage, according to sand particles size.



MODELS



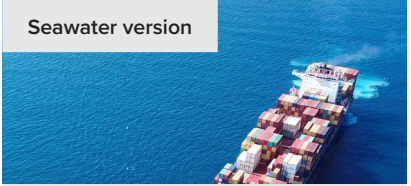
	Inlet / outlet	Minimum flow rate (m³/h)	Maximum flow rate (m³/h)
Alfa 200 1"	1" BSPF	2	8
Alfa 200 2"	2" BSPM	6	18

TECHNICAL SPECIFICATIONS

Alfa		
Maximum working pressure	Bar	5
Minimum working pressure	Bar	0
Maximum temperature	°C	70
Weight (empty)	Kg	7
Tank volume	L	2,75
Minimum / maximum pressure loss	Bar	0,2 / 0,5
Cone, cover, hatch		Polyamide
Tank		Polypropylene
Seals		Nitrile
Screws and bolts		Galvanized steel
Alfa 200 1" : inlet / outlet nozzles		Brass

OPTION

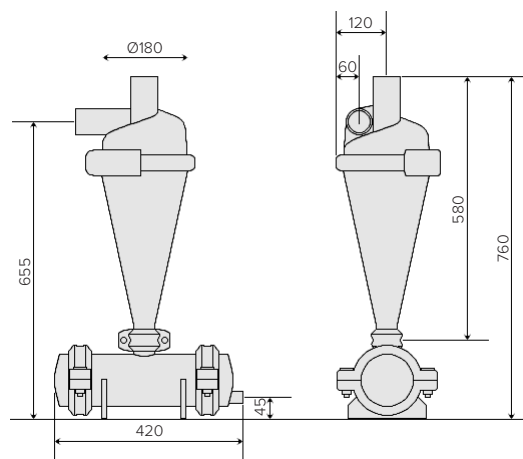
Seawater version



- Plastic is the ideal material for seawater applications, which are susceptible to corrosion.
- No metal parts are in contact with water
- In this version, the zinc-plated steel parts are replaced by 316L stainless steel: screws and fasteners.

DIMENSIONS

In mm



HECTRON

101, route de Canta Galet - 06200 Nice - France
 info@hectron.com | www.hectron.com | tél. : +33 (0)4 93 97 02 42 | fax : +33 (0)4 93 84 86 76