

HN / HNC STAINLESS STEEL HYDROCYCLONES

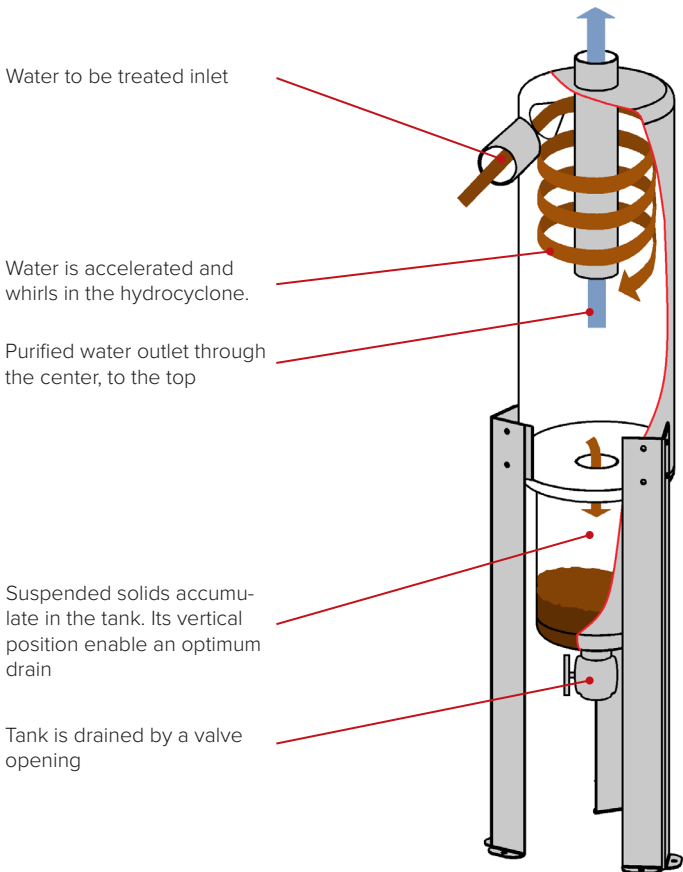
Hydrocyclones enable to eliminate most of the heavy solids suspended in water. The main application is treatment of sand-loaded borehole water.

Hectron HN and HNC hydrocyclones are made of welded stainless steel for excellent durability at pressures up to 10 bar.

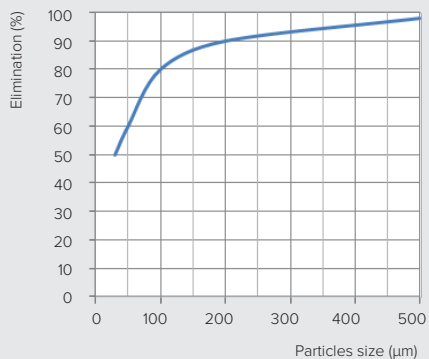
They are of cylindrical or conical shape, depending on size. The tank is in a vertical position, which facilitates the purges.



HOW IT WORKS



Efficiency : Sand (density = 3) elimination percentage, according to sand particles size.



MODELS



	Inlet / outlet	Min flow rate (m ³ /h)	Max flow rate (m ³ /h)
HN 25	1" BSPM	2	8
HN 50	2" BSPM	7	25



	Inlet / outlet	Min flow rate (m ³ /h)	Max flow rate (m ³ /h)
HNC 80	3" BSPM	17	45
HNC 100	DN100	30	70

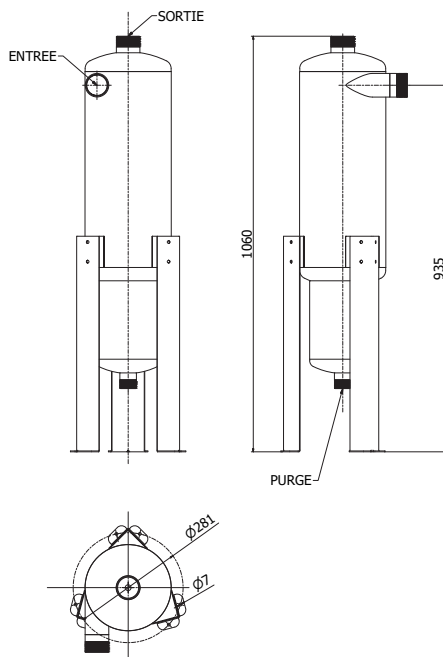
TECHNICAL SPECIFICATIONS

		HN	HNC
Maximum working pressure	Bar	10	10
Maximum temperature	°C	100	100
Weight (empty)	Kg	15	50
Tank volume	L	3,5	27
Drain valve	" BSP	1"1/4	2"
Perte de charge min / max	Bar	0,2 / 0,5	0,2 / 0,5
Body		S.S. 304	S.S. 304
Drain valve		Brass	Brass

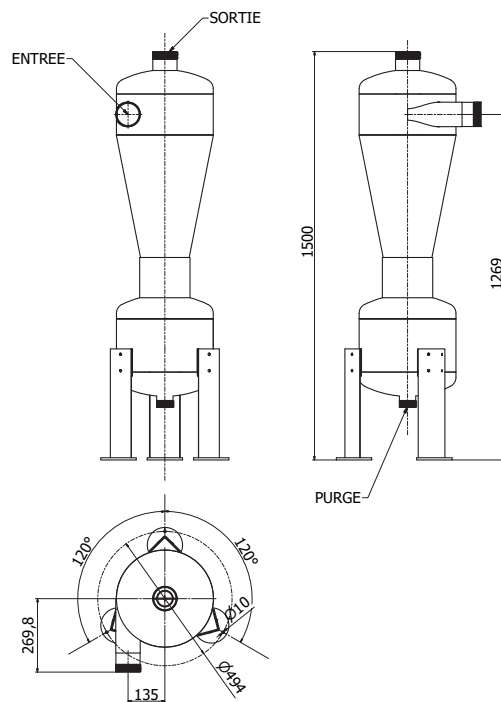
DIMENSIONS

In mm

HN



HNC



HECTRON

101, route de Canta Galet - 06200 Nice - France
info@hectron.com | www.hectron.com | tel. : +33 (0)4 93 97 02 42 | fax : +33 (0)4 93 84 86 76